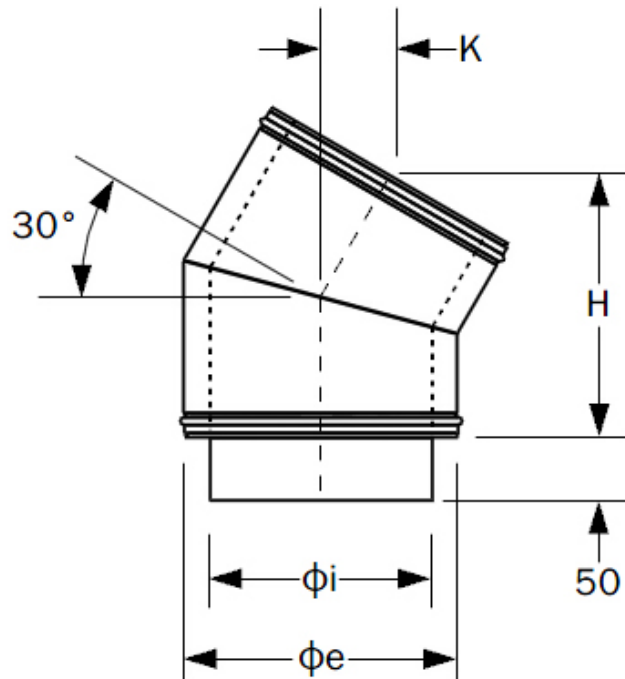




www.chimneychoice.ie

30° BendTWR

Inner Diameter ϕ_i (mm)	Outer Diameter ϕ_e (mm)	H (mm)	K (mm)
130	180	250	67
150	200	265	71



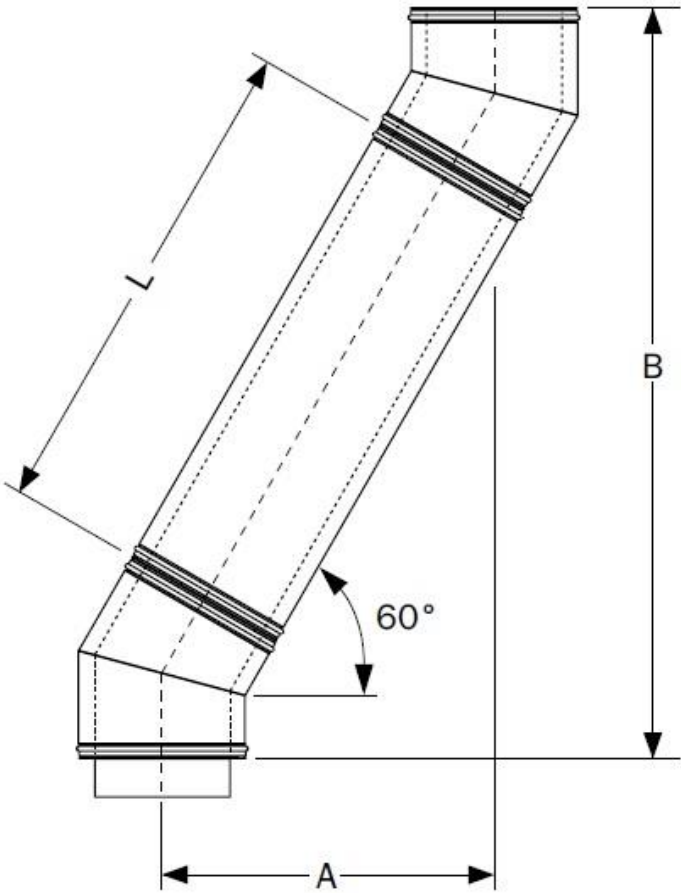
All information and images are owned and copyrighted by SHL Distributors Ltd. This PDF is not to be reproduced in any format or stored on any device unless for personal use.



www.chimneychoice.ie

Offset Measurements for 30° Bend TWR

Inner Diameter ϕ_i (mm)	Outer Diameter ϕ_e (mm)	L (mm)	A (mm)	B (mm)
130	180	0	134	500
		100	200	580
		205	237	678
		450	359	890
		950	609	1323
150	200	0	142	410
		100	160	520
		205	244	708
		450	367	920
		950	617	1353



All information and images are owned and copyrighted by SHL Distributors Ltd. This PDF is not to be reproduced in any format or stored on any device unless for personal use.