



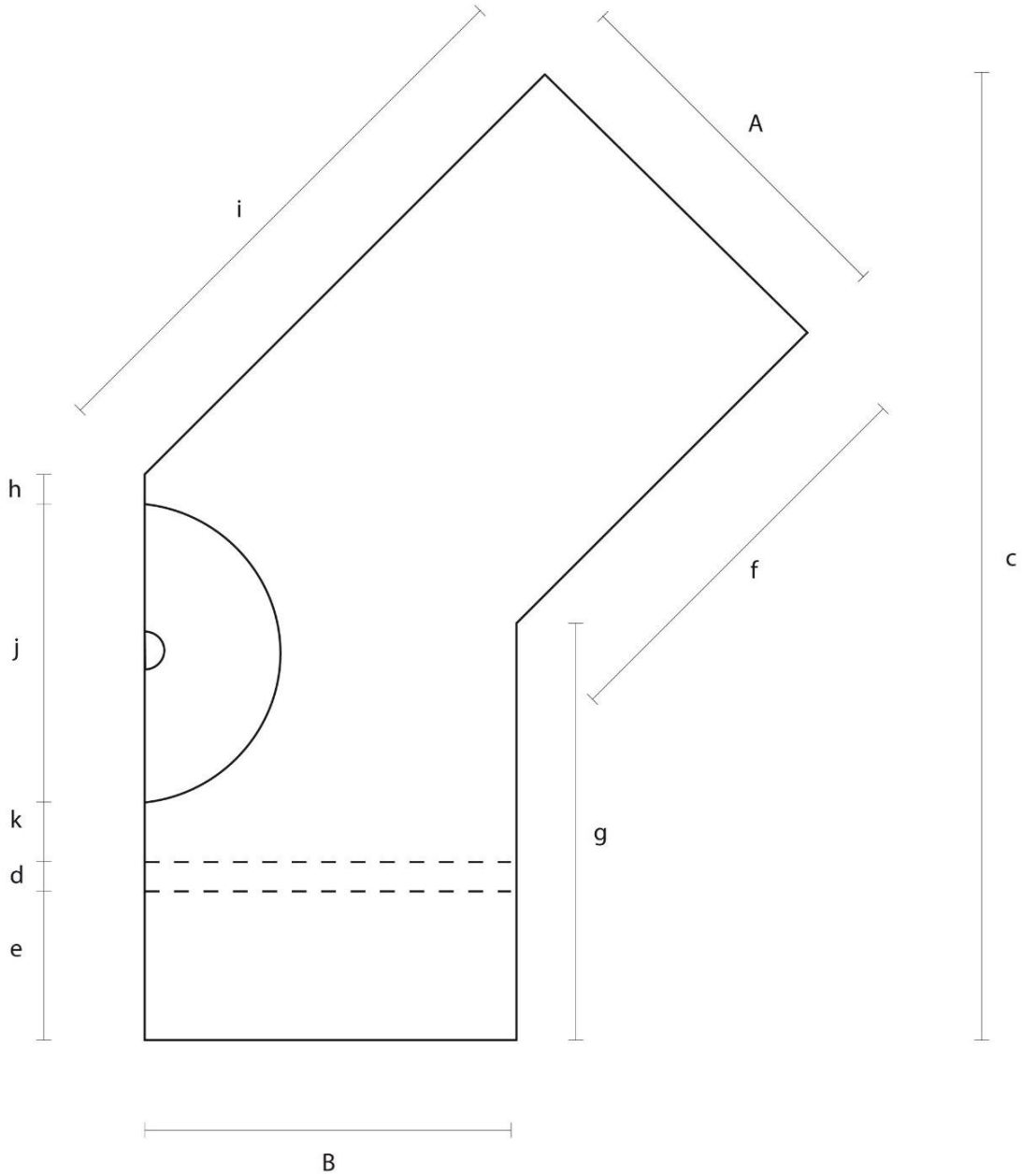
www.chimneychoice.ie

45° Bend with Door MBE

All measurements in mm

Pipe Diameter	A (internal \varnothing)	B (external \varnothing)	c	d	e	f	g	h	i	j	k
125	124	123	325	10	50	138	140	10	190	100	20
150	152	151	345	10	50	140	140	25	205	100	20

Overall wall thickness 1.8mm (enamel .6mm + steel wall 1.2mm)



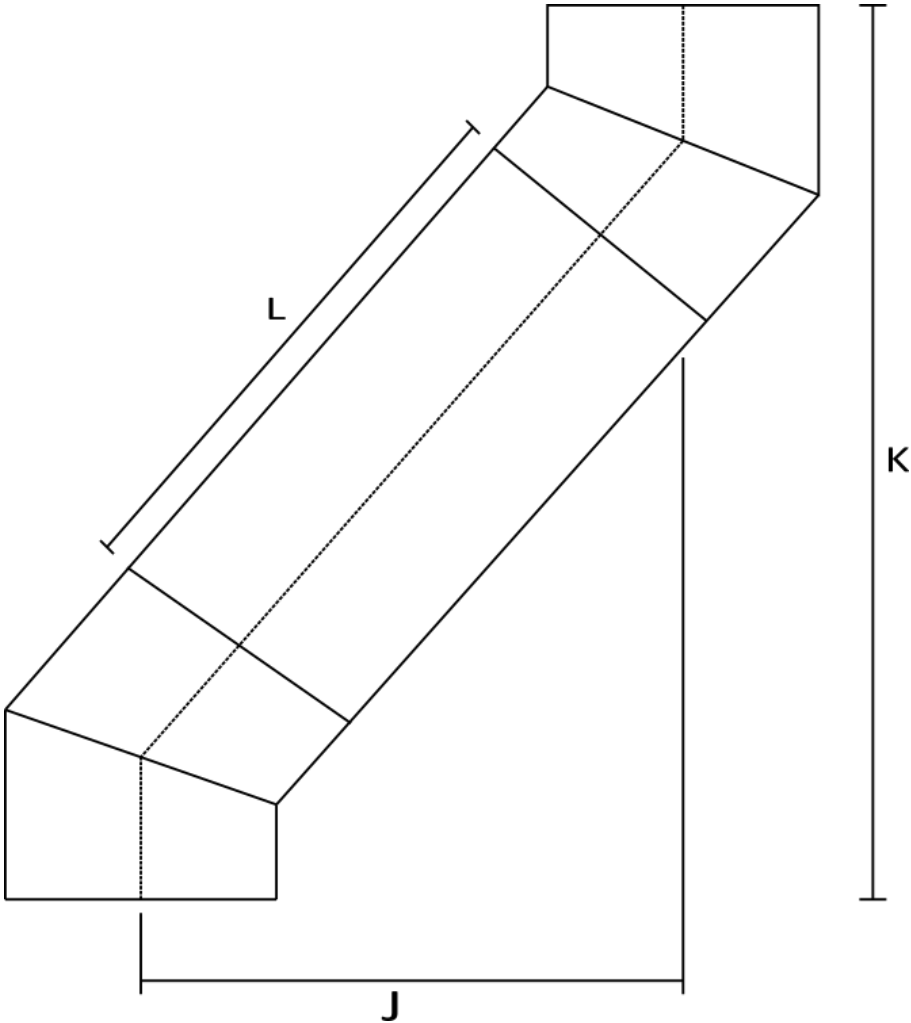
All information and images are owned and copyrighted by SHL Distributors Ltd. This PDF is not to be reproduced in any format or stored on any device unless for personal use.



www.chimneychoice.ie

Offset Measurements for 45° Bend TWR

Pipe diameter	Inner Diameter A (mm)	Outer Diameter B (mm)	L (mm)	J (mm)	K (mm)
125	124	123	0	200	520
			250	350	660
			500	520	850
			1000	900	1190
150	152	151	0	200	555
			250	350	690
			500	520	890
			1000	900	1220



All information and images are owned and copyrighted by SHL Distributors Ltd. This PDF is not to be reproduced in any format or stored on any device unless for personal use.