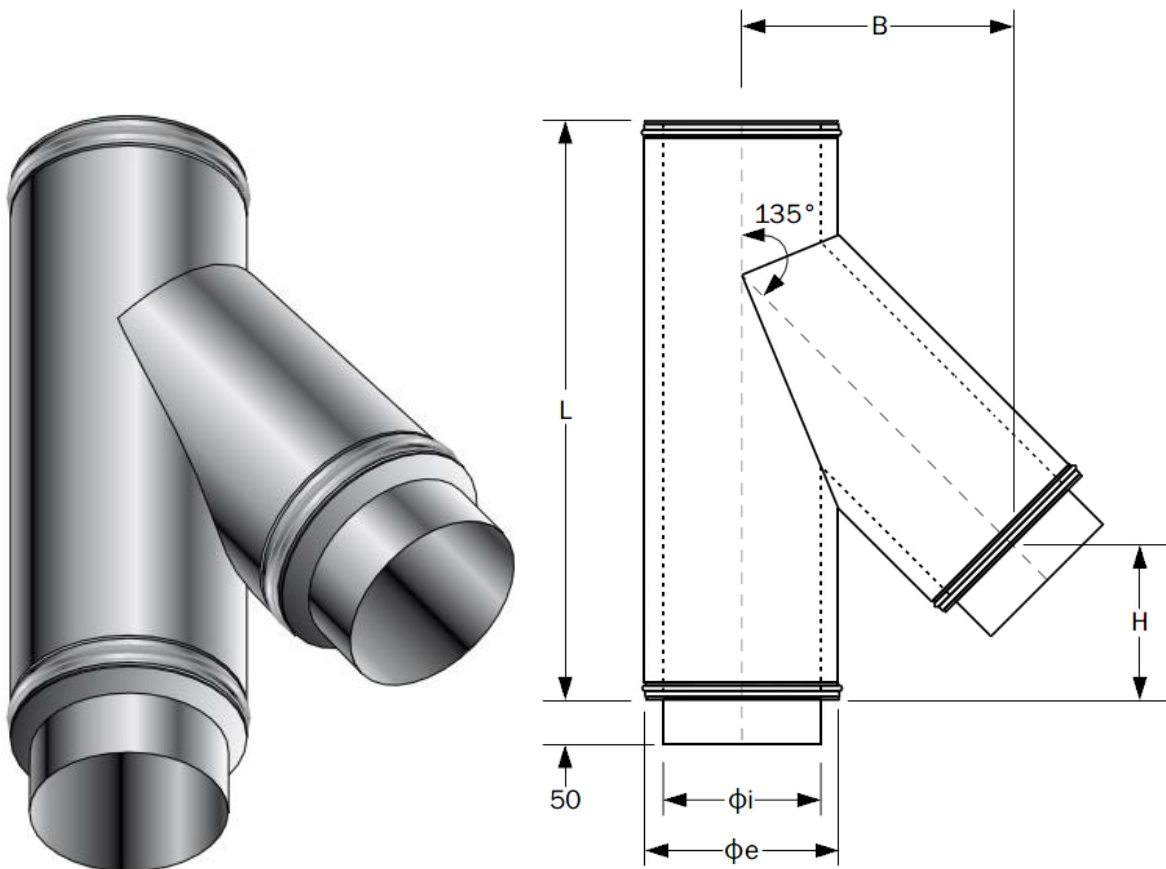




www.chimneychoice.ie

45° T Bend with Cap TWR

Inner Diameter ϕ_i (mm)	Outer Diameter ϕ_e (mm)	L (mm)	H (mm)	B (mm)
130	180	405	101	191
150	200	435	109	208



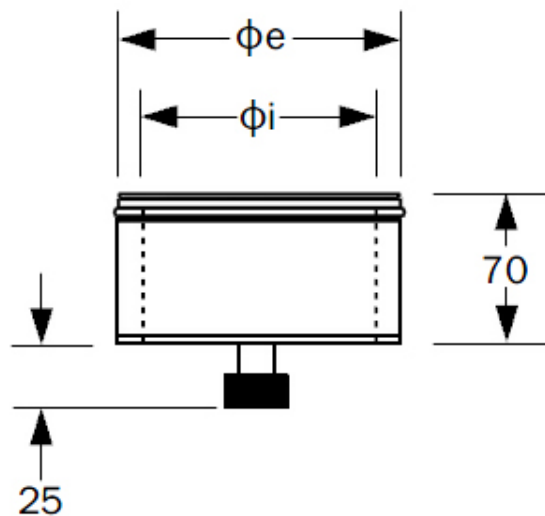
All information and images are owned and copyrighted by SHL Distributors Ltd. This PDF is not to be reproduced in any format or stored on any device unless for personal use.



www.chimneychoice.ie

Tee Cap Supplied with 45° & 90° T Bend TWR

Inner Diameter ϕ_i (mm)	Outer Diameter ϕ_e (mm)
130	180
150	200



All information and images are owned and copyrighted by SHL Distributors Ltd. This PDF is not to be reproduced in any format or stored on any device unless for personal use.