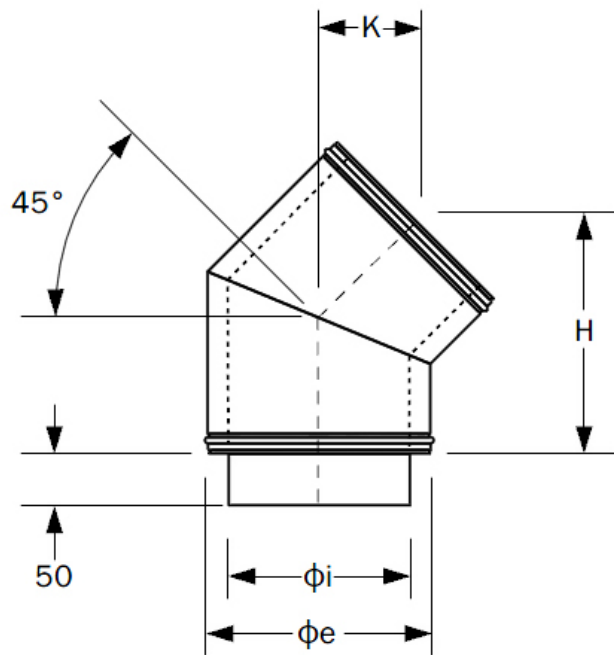
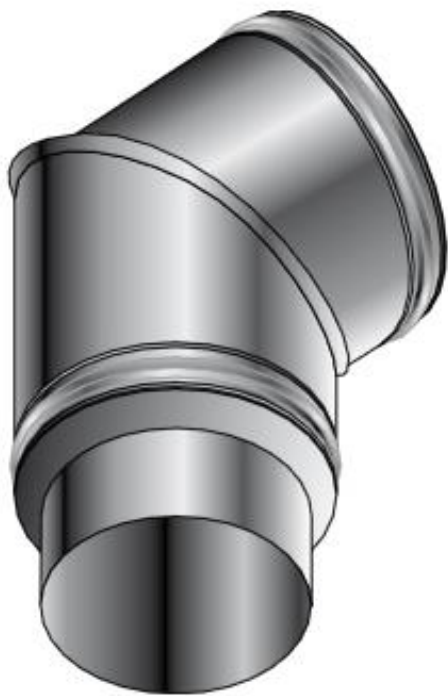




www.chimneychoice.ie

45° Bend TWR

Inner Diameter ϕ_i (mm)	Outer Diameter ϕ_e (mm)	H (mm)	K (mm)
130	180	206	84
150	200	212	87



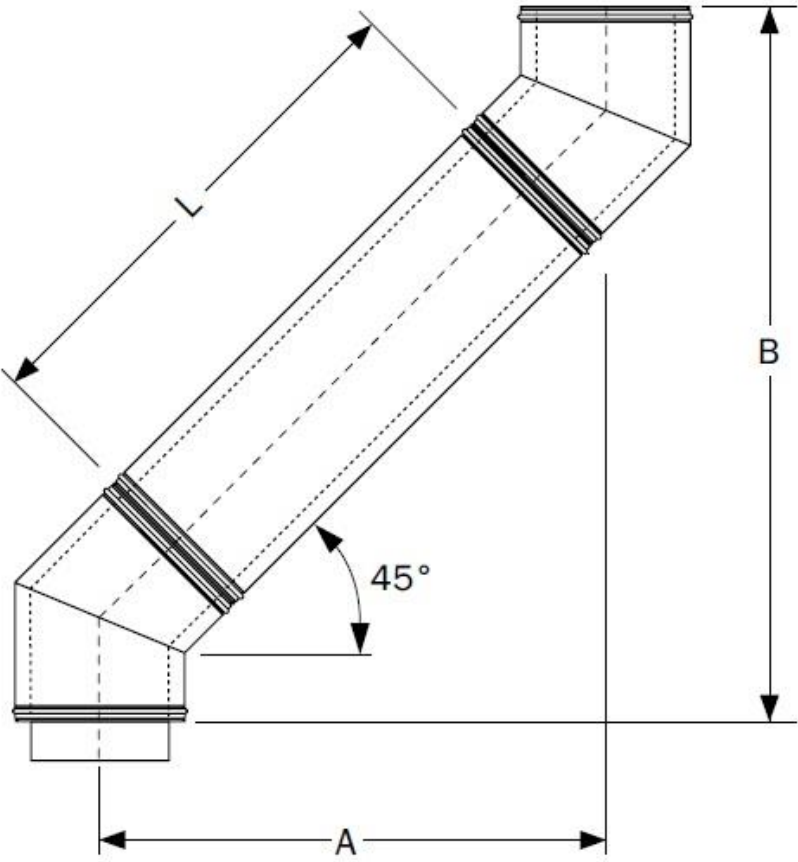
All information and images are owned and copyrighted by SHL Distributors Ltd. This PDF is not to be reproduced in any format or stored on any device unless for personal use.



www.chimneychoice.ie

Offset Measurements for 45° Bend TWR

Inner Diameter \varnothing_i (mm)	Outer Diameter \varnothing_e (mm)	L (mm)	A (mm)	B (mm)
130	180	0	168	412
		100	260	490
		205	313	557
		450	359	890
		950	609	1323
150	200	0	142	530
		100	240	510
		205	244	708
		450	367	920
		950	617	1353



All information and images are owned and copyrighted by SHL Distributors Ltd. This PDF is not to be reproduced in any format or stored on any device unless for personal use.