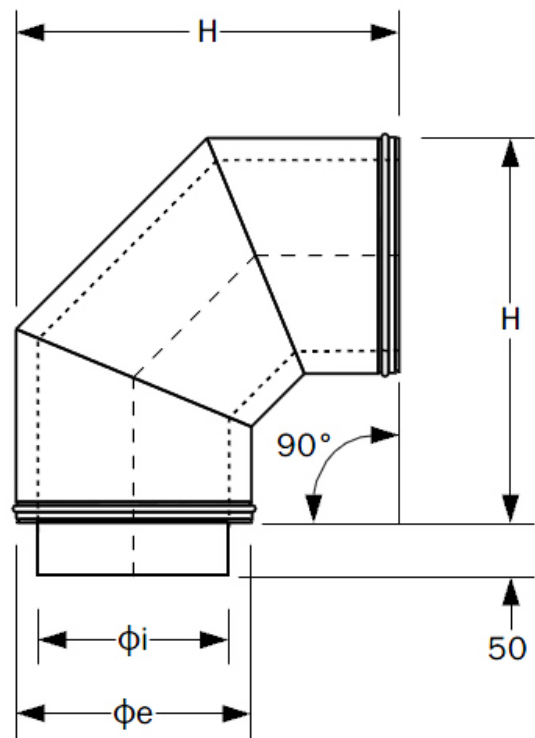




www.chimneychoice.ie

90° Bend TWR

Inner Diameter ϕ_i (mm)	Outer Diameter ϕ_e (mm)	H (mm)
130	180	285
150	200	305



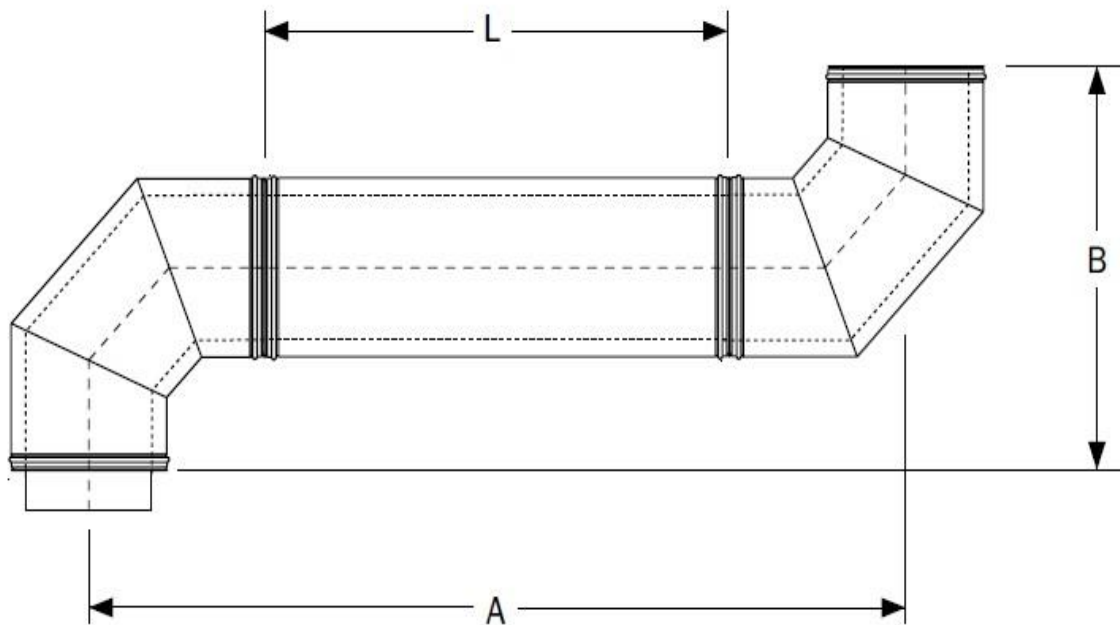
All information and images are owned and copyrighted by SHL Distributors Ltd. This PDF is not to be reproduced in any format or stored on any device unless for personal use.



www.chimneychoice.ie

Offset Measurements for 90° Bend TWR

Inner Diameter \varnothing_i (mm)	Outer Diameter \varnothing_e (mm)	L (mm)	A (mm)	B (mm)
130	180	0	390	390
		100	540	390
		205	595	390
		450	840	390
		950	1340	390
150	200	0	410	410
		100	530	410
		205	615	410
		450	860	410
		950	1390	410



All information and images are owned and copyrighted by SHL Distributors Ltd. This PDF is not to be reproduced in any format or stored on any device unless for personal use.