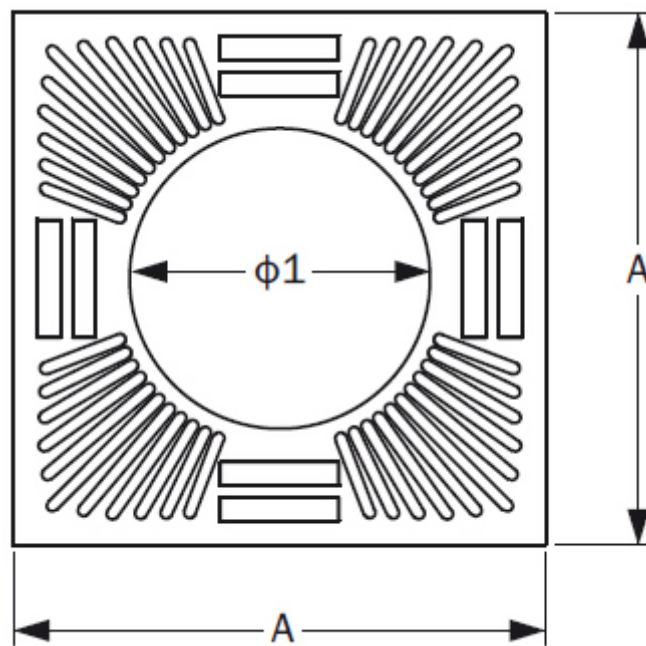
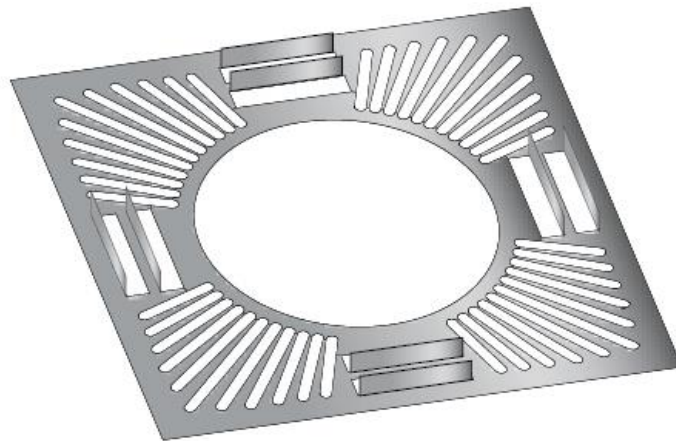




[www.chimneychoice.ie](http://www.chimneychoice.ie)

### Firestop Plate TWR

Inner Diameter (mm)	Outer Diameter (mm)	$\phi 1$ (mm)	A (mm)
130	180	184	380
150	200	204	400



All information and images are owned and copyrighted by SHL Distributors Ltd. This PDF is not to be reproduced in any format or stored on any device unless for personal use.