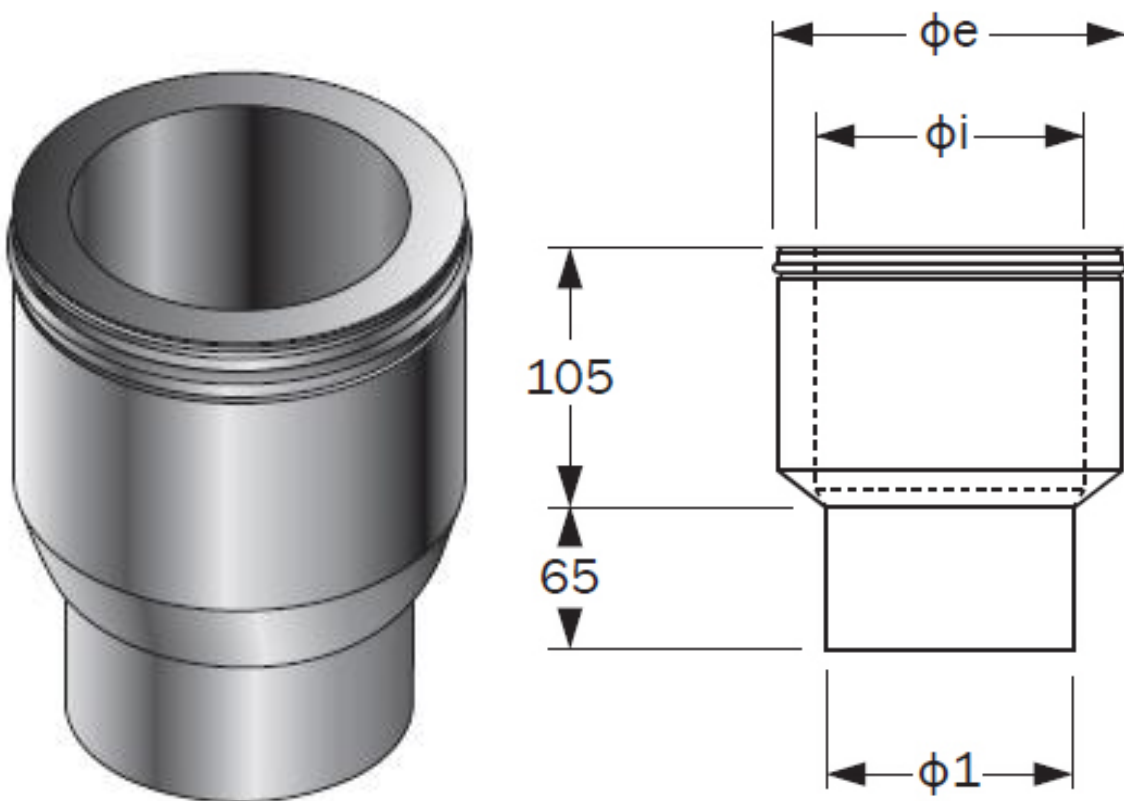




[www.chimneychoice.ie](http://www.chimneychoice.ie)

### Gradual S/W Adapter TWR

Inner Diameter $\phi_i$ (mm)	Outer Diameter $\phi_e$ (mm)	Outer Diameter $\phi_1$ (mm)
130	180	120
150	200	147
150	200	120



All information and images are owned and copyrighted by SHL Distributors Ltd. This PDF is not to be reproduced in any format or stored on any device unless for personal use.