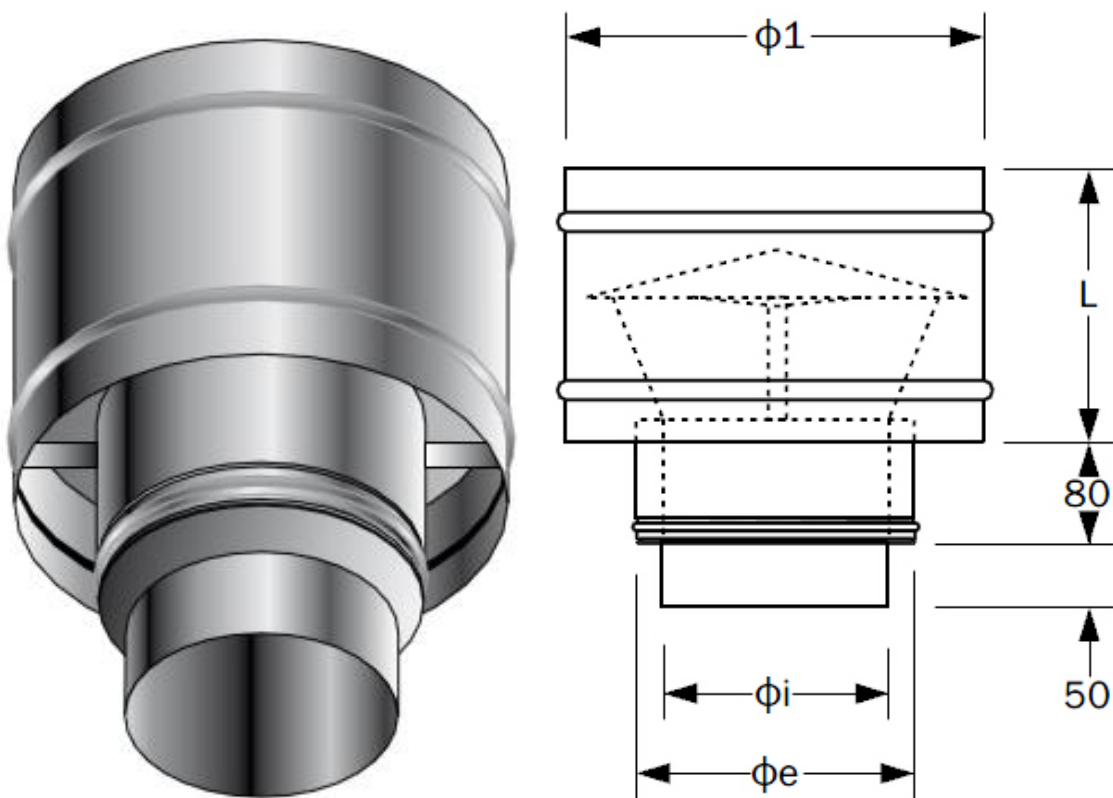




www.chimneychoice.ie

Static Anti Down Draught Terminal TWR

Inner Diameter (mm)	Outer Diameter (mm)	$\phi 1$ (mm)	L (mm)
130	180	350	250
150	200	350	250



All information and images are owned and copyrighted by SHL Distributors Ltd. This PDF is not to be reproduced in any format or stored on any device unless for personal use.