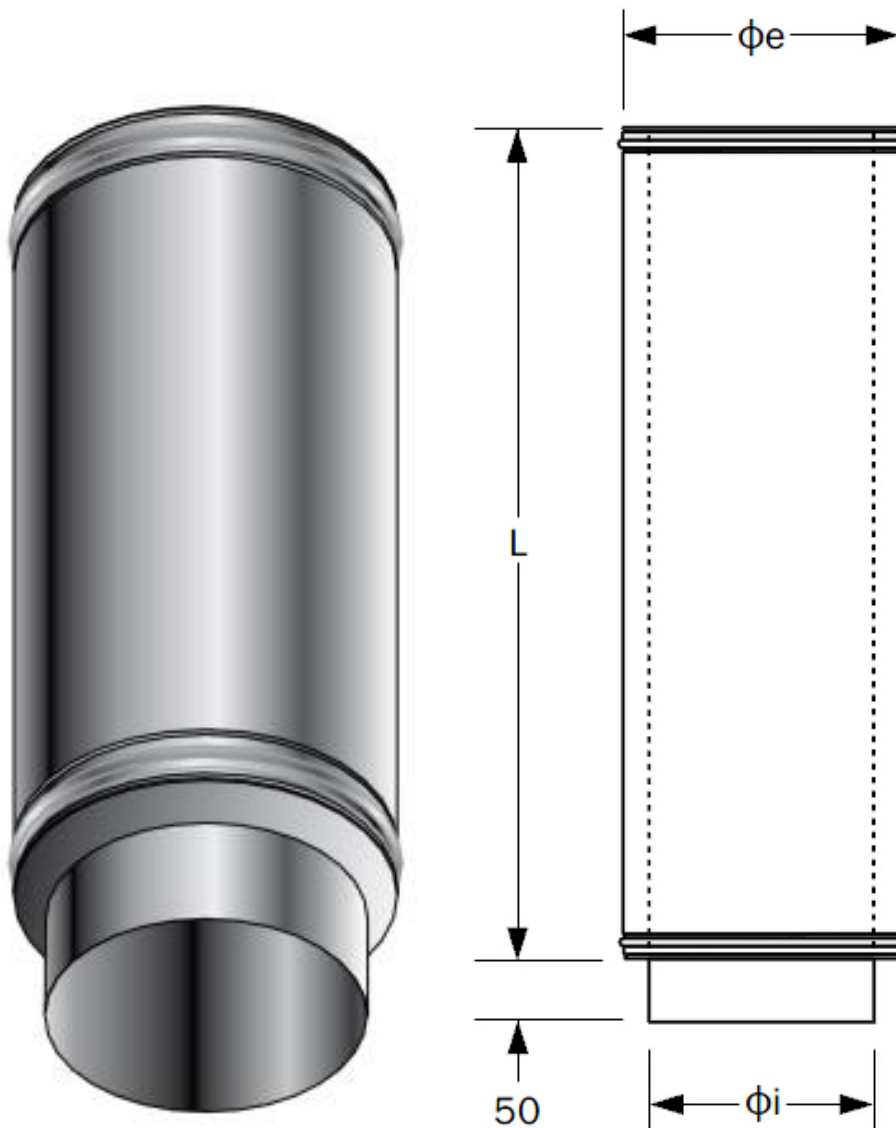




www.chimneychoice.ie

1000mm, 500mm, 200mm, 100mm straights TWR

Inner Diameter ϕ_i (mm)	Outer Diameter ϕ_e (mm)	L (mm)			
		1000	500	200	100
130	180	950	450	250	100
150	200	950	450	250	100



All information and images are owned and copyrighted by SHL Distributors Ltd. This PDF is not to be reproduced in any format or stored on any device unless for personal use.